

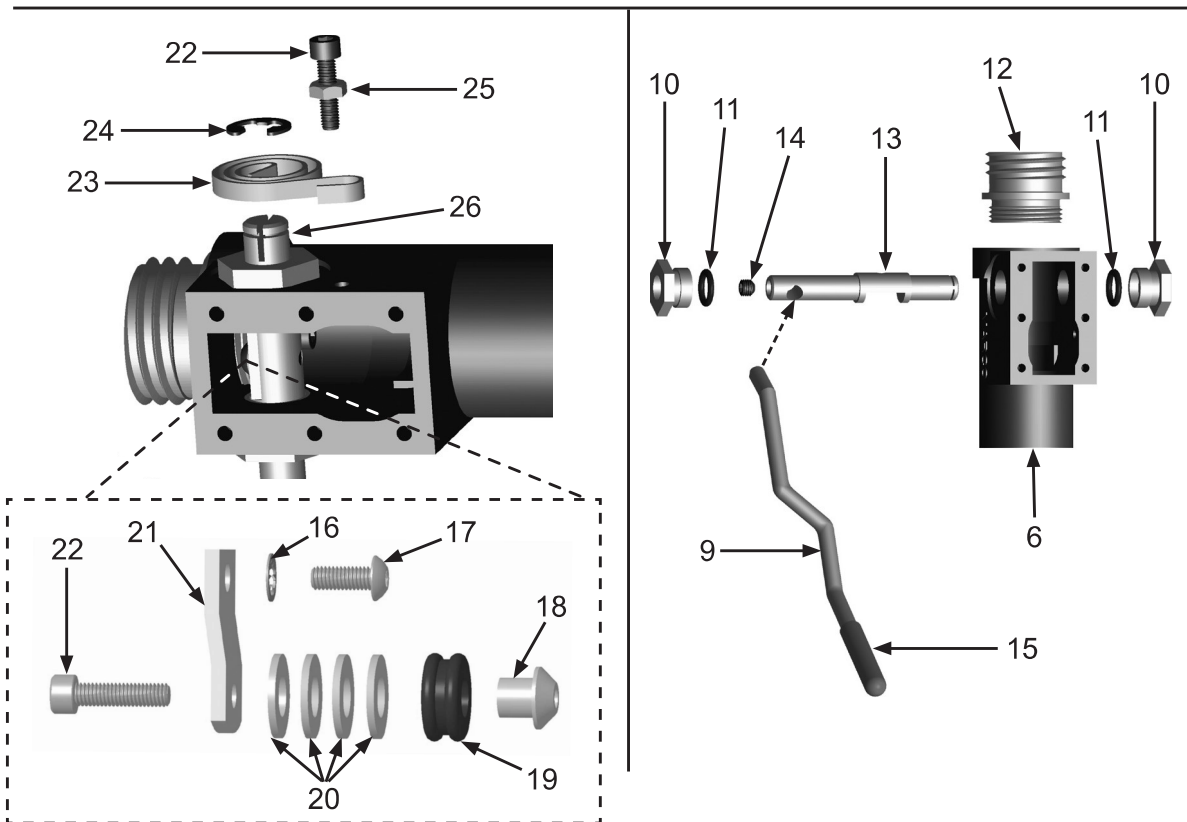
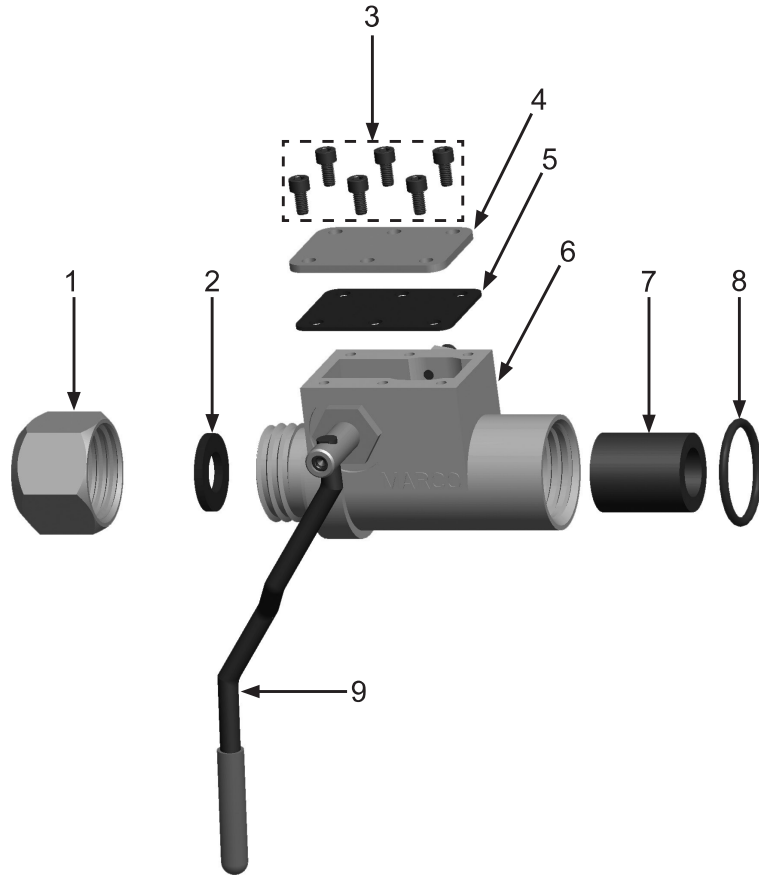
PART NUMBERS & SCHEMATICS

Blastmaster® 153 Remote Control Valve

Item #	Part #	Description
Fig. 1		
—	10L66EVD	Blastmaster® 153 Remote Control Valve – Complete
1	10L100164	Nozzle Cap <i>(Use with Type I Ceramic Nozzles) (See Figure 3)</i>
2	10L66CHW	Nozzle Washer for Ceramic Nozzle
3	10L805531	10-32 x 3/8" Socket Cap Screw <i>(Six Required)</i>
4	10L100170	Cover
5	10L66EVG	Cover Gasket
6	10L100018	Valve Body
7	10L800236	Rubber Liner – 3/4" I.D. Abrasive Blasting Hose <i>(See Figure 2)</i>
8	10L66RR	O-Ring
9	10L66VHD	Valve Lever <i>(Includes Item #15)</i>
10	10L66TB	Spindle Bushing <i>(Two Required)</i>
11	10L15300	Spindle O-Ring <i>(Two Required)</i>
12	10L100134	Valve Insert
13	10L100070	Valve Spindle
14	10L800217	5/16-24 x 1/4" Spindle Set Screw
15	10L800338	Lever Grip
16	10L805034	Star Washer
17	10L800218	10-32 x 1/2" Hex Screw
18	10L66EVST	Valve Disc Stem
19	10L66RW	Rubber Valve Washer
20	1014017	1/4" Flat Washer <i>(Four Required)</i>
21	10L100041	Shut-off Arm
22	10L805533	10-32 x 3/4" Hex Head Screw <i>(Two Required)</i>
23	10L66VSS	Torsion Spring
24	10L800149	Spindle E-Clip
25	10L804322	10-32 Nut
—	10L66EVDR	Blastmaster® 153 Remote Control Valve Service Kit <i>(Includes Item #'s: 3, 7, 8, 16–19 (Quantity of Six), 20 (Quantity of Four), 21, and 22 (Quantity of Two))</i>
—	105M034	Features and Specifications Guide – Blastmaster® 153 Remote Control Valve
—	106M034	Part Numbers and Schematics Guide – Blastmaster® 153 Remote Control Valve
—	1090034	Operator's Manual – Blastmaster® 153 Remote Control Valve
—	1091033	Cover Sticker
—	1091045	Hazard Identification Tag

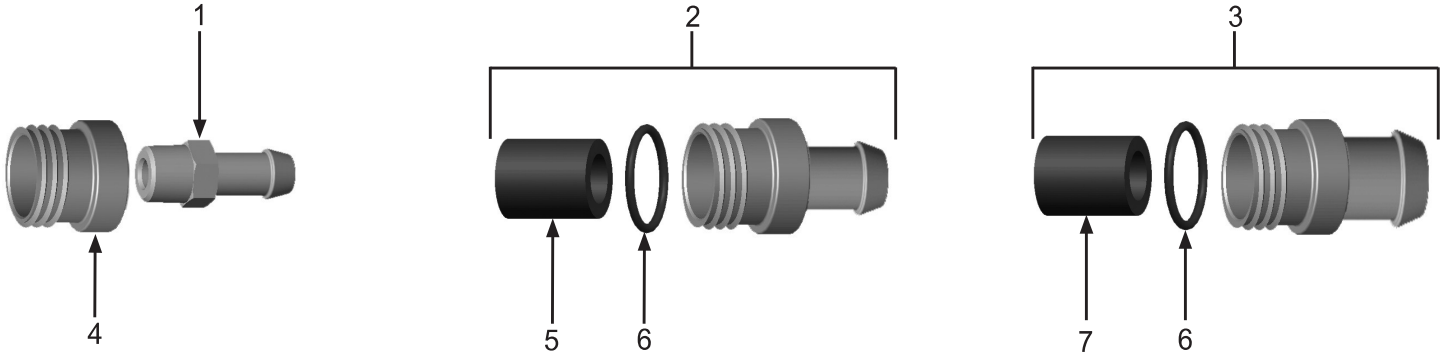
PART NUMBERS & SCHEMATICS

Figure 1: Blastmaster® 153 Remote Control Valve



OPTIONAL ACCESSORIES

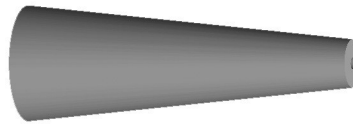
Figure 2: Hose End Assemblies



Item #	Part #	Description
--------	--------	-------------

Item #	Part #	Description
Fig. 2		
1	10L174	Hose End for 1/2" I.D. Abrasive Blasting Hose
2	10L366HE	Hose End for 3/4" I.D. Abrasive Blasting Hose <i>(Includes Item #'s: 5 and 6)</i>
3	10L466HE	Hose End for 1" I.D. Abrasive Blasting Hose <i>(Includes Item #'s: 6 and 7)</i>
4	10L66B	Nozzle Holder Base
5	10L800236	Rubber Liner for 3/4" I.D. Abrasive Blasting Hose
6	10L66RR	O-Ring
7	10L800237	Rubber Liner for 1" I.D. Abrasive Blasting Hose

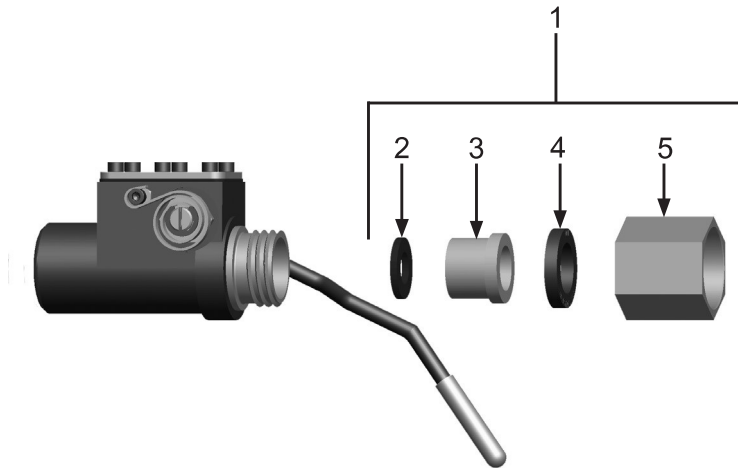
Figure 3: Type I Ceramic Nozzles



TYPE I CERAMIC NOZZLES					
Part Numbers	Size	Orifice Size	Nozzle Entry	Overall Length	Abrasive Mesh Size
10CN051	1	3/32"	5/8"	3-3/4"	100 Mesh or Finer
10CN251	2	1/8"	5/8"	3-3/4"	60 Mesh or Finer
10CN21251	2-1/2	5/32"	5/8"	3-3/4"	50 Mesh or Finer
10CN351	3	3/16"	5/8"	3-3/4"	50 Mesh or Finer
10CN451	4	1/4"	5/8"	3-3/4"	40 Mesh or Finer
10CN551	5	5/16"	5/8"	3-3/4"	20 Mesh or Finer
10CN651	6	3/8"	5/8"	3-3/4"	12 Mesh or Finer

OPTIONAL ACCESSORIES

Figure 4: Threaded Nozzle Conversion Kit



Item #	Part #	Description
Fig. 4		
1	10L100222	Threaded Nozzle Conversion Kit <i>(Includes Item #'s: 2, 3, 4, and 5)</i>
2	10L66CHW	Nozzle Washer
3	10L66HS	Spacer
4	10NW	Nozzle Washer
5	10L66NCNV	Threaded Adapter
—	—	Threaded Nozzle <i>(Not Included. Contact Marco for details)</i>