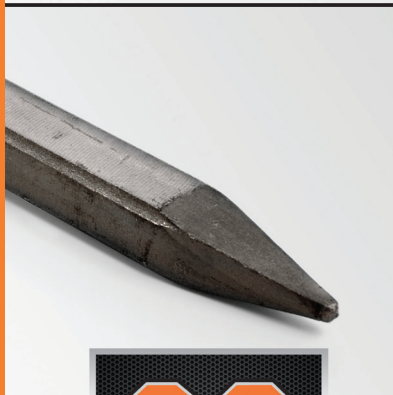


APT™

A business unit within Power Technique North America, LLC

Handheld Tool Steel

Product listing



**PROVEN POWER.
RUGGED RELIABILITY.**










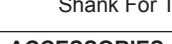


For full terms and conditions of sale and warranty information
please visit our website: www.apr-tools.com

Notes:



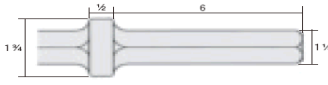


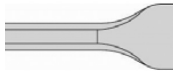
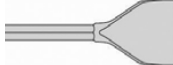

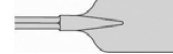

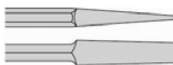
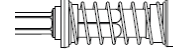


1. All equipment quoted from this Price File is to American Pneumatic Tools Standard Terms and Conditions
2. Freight has to be added to the cost of the sale, unless agreed by the VP Sales or Business Line Manager. Guidelines on Freight are included inside front cover.
3. Equipment quoted from stock may not be in line with the configurations mentioned in this price file please check price and availability prior to making an offer.
4. Equipment listed in this file may be pre-configured with U.S. country package. If you have questions please contact your sales representative.
5. For full terms and conditions please visit our website, www.apr-tools.com
6. Price list supersedes all previous price lists. Prices are subject to change without notice.

PAVING BREAKER TOOLS				
	7/8" x 3-1/4"		7/8" x 4-1/4"	
	Part no.	Length	Part no.	Length
Moil Point	3083405040 3083405000 3083405010 3083405020 3083405030	10" 14" 18" 24" 36"	3083322800 3083322900	14" 18"
Narrow Chisel	3083330310 3083330300 3083405110 3083330400 3083405130	10" 14" 18" 24" 36"	3083323000 3083407100	14" 18"
3" Wide Chisel	3083330500 3083405210 3083405220 3083405230	14" 18" 24" 36"	3083323200 3083407200	14" 18"
Asphalt Cutter	4-1/2" x 5" 5" x 6"	3083405300	12"	3083323400 12"
Digging Chisel	3" x 9"	3083330600	14"	3083323300 15"
Digging Spade	4-3/4" x 7-1/2"	3083330700	13"	
Clay Spade	4" x 6-1/2" 5" x 8"	3083330800	17"	3083323500 16"
Frost Wedge	1-3/8" x 7"	3083330600	14"	3083323600 15"
Shaft		3083405800	8"	3083323800 8"
	Shank For Tent Stake Cup Driver			9246020162 9"
ACCESSORIES				
Cup Driver	2 1/2" Driver Head Only 3" Driver Head Only	9246020159 9245980065		9246020159 9245980065
Tamping Pad	7" Round 6" Square	3083325210 3083323900		3083325210 3083323900
Driver Pad	ø 4"	9245281790		9245281790


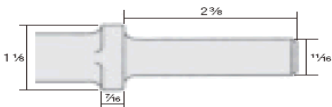
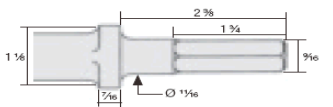



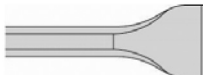

Note: Length is under collar

PAVING BREAKER TOOLS			
		<p style="text-align: center;">1" x 4 1/4"</p> 	
		Part no.	Length
Moil Point		3083403000 3083403010 3083403020	15" 18" 24"
Narrow Chisel		3083330900 3083403110 3083403120 3083403130	15" 18" 24" 36"
3" Wide Chisel		3083331000 3083403200 3083403210 3083403220	15" 18" 24" 36"
Asphalt Cutter		5" x 6"	3083403300 13"
Digging Spade		4 3/4" x 7-1/2"	3083331200 13"
Clay Spade		5" x 8"	3083403500 16"
Frost Wedge		2" x 12"	3083331300 15"
Shaft	 Shank For Tent Stake Cup Driver	3083403700	11"
ACCESSORIES			
Cup Driver		2 1/2" Driver Head Only 3" Driver Head Only	9246020159 9245980065
Tamping Pad		7" Round 6" Square	3083325210 3083323900
Driver Pad		∅ 4"	9245281790

Note: Length is under collar

PAVING BREAKER TOOLS						
		1-1/8" x 6" 		1-1/4" x 6" 		
		Part no.	Length	Part no.	Length	
Moil Point		3083326700 3083401510 3083401520	14" 18" 24"	3083328500 3083400010 3083400020 3083400030	14" 18" 24" 36"	
Narrow Chisel		3083326800 3083401610 3083401620 3083401630	14" 18" 24" 36"	3083328600 3083400110 3083400120 3083400130	14" 18" 24" 36"	
3" Wide Chisel		3083328900 3083401700 3083401710 3083401720	15" 18" 24" 36"	3083329500 3083400200 3083400210 3083400220	15" 18" 24" 36"	
Asphalt Cutter		4-1/2" x 5" 5" x 6"	3083401900 3083329000	11" 13"	3083400400 3083329600	12" 13"
Digging Chisel		3" x 9"	3083329100	15"		
Digging Spade		5" x 6"	3083329200	13"	3083329800	13"
Clay Spade		5-1/2" x 9"	3083329300	15"	3083329900	15"
Frost Wedge		2" x 12"	3083329400	16"		
Spiking Tool					9245282671	
Shaft		Shank For Tent Stake Cup Driver	9246020160 3083326900	6" 9"	9246020161 3083328700	6" 9"
ACCESSORIES						
Cup Driver		2 1/2" Driver Head Only 3" Driver Head Only	9246020159 9245980065		9246020159 9245980065	

Note: Length is under collar

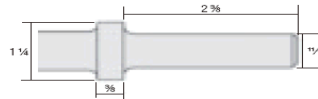
CHIPPING HAMMER TOOLS						
		.680 ROUND SHANK OVAL COLLAR 		.580 HEX SHANK OVAL COLLAR 		
		Part no.	Length	Part no.	Length	
Chisel Blank 		3083410500	8-1/4"	3083412500	8-1/4"	
		3083410510	11-1/4"	3083412510	11-1/4"	
Moil Point 		3083410000	9"	3083412000	9"	
		3083410010	12"	3083412010	12"	
		3083410020	18"	3083412020	18"	
Narrow Chisel 		3083410100	9"	3083412100	9"	
		3083410110	12"	3083412110	12"	
		3083410120	18"	3083412120	18"	
		3083410130	24"			
Scaling Chisel 	1-1/2"	3083410200	9"	3083412200	9"	
		3083410210	12"	3083412210	12"	
		3083410220	18"	3083412220	18"	
	2"	3083410230	9"			
		3083410240	12"	3083412240	12"	
				3083412250	18"	
	2-1/2"	3083410260	9"			
		3083410270	12"	3083412270	12"	
		3083410280	18"	3083412280	18"	
	3"			3083412290	9"	
	Bushing Tool 	2" Square	3083410400	9-1/2"	3083412400	9-1/2"

Note: Length is overall length

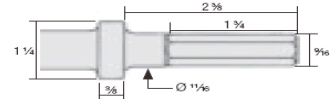
CHIPPING HAMMER TOOLS




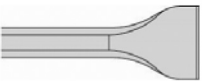



**.680 ROUND SHANK
Round Collar**


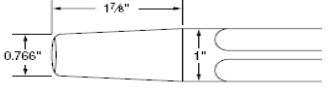
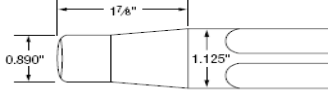










**.580 HEX SHANK
Round Collar**


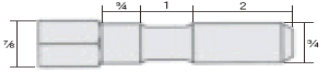


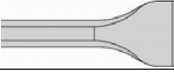




		.680 ROUND SHANK Round Collar		.580 HEX SHANK Round Collar		
		Part no.	Length	Part no.	Length	
Chisel Blank 		3083410505	8-1/4"	3083412505	8-1/4"	
		3083410515	11-1/4"	3083412515	13.09"	
Moil Point 		3083411000	9"	3083413000	9"	
		3083411010	12"	3083413010	12"	
		3083411020	18"			
Narrow Chisel 		3083411100	9"	3083413100	9"	
		3083411110	12"	3083413110	12"	
		3083411120	18"	3083413120	18"	
Scaling Chisel 	1-1/2"	3083411210	12"	3083413210	12"	
		3083411220	18"	3083413220	18"	
	2"	3083411230	9"			
		3083411240	12"			
		3083411250	18"			
	2-1/2"	3083411260	9"	3083413260	9"	
		3083411270	12"			
		3083411280	18"			
	3"	3083411290	9"	3083413290	9"	
	Bushing Tool 	2" Square	3083411400	9-1/2"	3083413400	9-1/2"




Note: Length is overall length

RIVET BUSTER TOOLS						
		80X Standard 		11X Jumbo 		
		Part no.	Length	Part no.	Length	
Moil Point		3083414011	9"	3083414000	10"	
		3083414018	12"	3083414010	12"	
		3083414022	18"	3083414020	18"	
Narrow Chisel		Concrete work	3083414111	9"	3083414100	10"
			3083414118	12"	3083414110	12"
			3083414122	18"	3083414120	18"
		Metal work			3083414200	10"
					3083414210	12"
					3083414620	18"
Side Cut Chisel		3083414515	9"	3083414500	10"	
				3083414510	12"	
				3083414520	18"	
Ripper Chisel				3083414400	9-1/2"	
Driftpin Driver				3083414300	7-1/2"	
Back Out Punch		1/2"	3083414822	9"	3083414700	9-1/2"
		5/8"	3083414823	9"	3083414710	9-1/2"
		3/4"	3083414851	9"	3083414720	9-1/2"
					3083414730	12"
		7/8"	3083414871	9"	3083414740	9-1/2"
					3083414750	12"
1"	3083414881	9"	3083414760	9-1/2"		
			3083414770	12"		
4" Long Clearance Back Out Punch		5/8"			3083414810	10"
		3/4"			3083414840	10"
		7/8"			3083414870	10"
6" Long Clearance Back Out Punch		5/8"			3083414820	12"
		3/4"			3083414850	12"
		7/8"			3083414880	12"

Note: Length is overall length

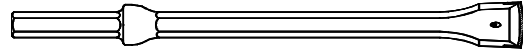
ROTARY HAMMER TOOLS			
		<p>Rd 3/4" x 3-3/4" CP0009 & AC DKR 36</p> 	
		Part no.	Length
Moil Point		3083416000 3083326100	10" 15"
Narrow Chisel		3083416100 3083326200	10" 15"
3" Wide Chisel		3083416500	10"
Shaft		3083416200	9"
ACCESSORIES			
Bush Hammer Head		TC - 9 1-1/2"	3083322600
		TC - 16 1-1/2"	3083322700
		Steel - 9 1-1/4"	3083416300

Note: Length is overall length


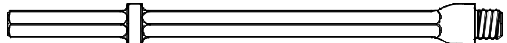
ROTARY HAMMER TOOLS			
		Rd 3/4" x 3-3/4" CP 0009 & AC DKR 36	
			
		Part no.	Length
Plug Hole Drill 	1/2"	3083415000	8"
		3083415010	10-1/2"
	5/8"	3083415100	8"
		3083415110	12"
		3083415120	18"
	3/4"	3083415200	8"
		3083415210	12"
		3083415220	18"
	7/8"	3083415300	8"
		3083415310	12"
		3083415320	18"
	1"	3083415400	8"
		3083415410	12"
		3083415420	18"
1-1/8"	3083415520	18"	
1-1/4"	3083415600	8"	
	3083415610	12"	
	3083415620	18"	


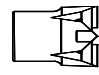
Note: Length is overall length




CARBIDE TIPPED INTEGRAL DRILL STEELS






Drill Size - In.	Drill Depth	Length Under Collar	Hexagon Shank 7/8 x 3 1/4"	Hexagon Shank 7/8 x 4 1/4"
			Part No.	Part No.
5/8"	6"	9"	3083420000	3083421000
5/8"	9"	12"	3083420010	3083421010
5/8"	14"	18"	3083420020	3083421020
3/4"	6"	9"	3083420100	3083421100
3/4"	9"	12"	3083420110	3083421110
3/4"	14"	18"	3083420120	3083421120
3/4"	20"	24"	3083420130	3083421130
3/4"	26"	30"	3083420140	3083421140
7/8"	6"	9"	3083420200	3083421200
7/8"	9"	12"	3083420210	3083421210
7/8"	14"	18"	3083420220	3083421220
7/8"	20"	24"	3083420230	3083421230
7/8"	26"	30"	3083420240	3083421240
1"	6"	9"	3083420300	3083421300
1"	9"	12"	3083420310	3083421310
1"	14"	18"	3083420320	3083421320
1"	20"	24"	3083420330	3083421330
1"	26"	30"	3083420340	3083421340
1-1/8"	9"	12"	3083420400	3083421400
1-1/8"	14"	18"	3083420410	3083421410
1-1/8"	20"	24"	3083420420	3083421420
1-1/8"	26"	30"	3083420430	3083421430
1-1/4"	9"	12"	3083420500	3083421500
1-1/4"	14"	18"	3083420510	3083421510
1-1/4"	20"	24"	3083420520	3083421520
1-1/4"	26"	30"	3083420530	3083421530
1-3/8"	9"	12"	3083420600	3083421600
1-3/8"	14"	18"	3083420610	3083421610
1-3/8"	20"	24"	3083420620	3083421620
1-3/8"	26"	30"	3083420630	3083421630
1-1/2"	9"	12"	3083420700	3083421700
1-1/2"	14"	18"	3083420710	3083421710
1-1/2"	20"	24"	3083420720	3083421720
1-1/2"	26"	30"	3083420730	3083421730




H THREAD RODS			
			
Length Under Collar	Hexagon Shank 7/8 x 3-1/4" Part No.	Hexagon Shank 7/8 x 4-1/4" Part No.	Hexagon Shank 1 x 4-1/4" Part No.
12"	3083422100	3083422000	3083422200
18"	3083422110	3083422010	3083422210
24"	3083422120	3083422020	3083422220
30"	3083422130	3083422030	3083422230
36"	3083422140	3083422040	3083422240
48"	3083422150	3083422050	3083422250
60"	3083422160	3083422060	3083422260
72"	3083422170	3083422070	3083422270
96"	3083422180	3083422080	3083422280


H THREAD HEAVY DUTY CARBIDE BITS	
	
	
Diameter	Part No.
1-3/8"	3083422300
1-1/2"	3083422310
1-5/8"	3083422320
1-3/4"	3083422330
1-7/8"	3083422340
2"	3083422350
2-1/4"	3083422360
2-1/2"	3083422370
3"	3083422380

GAS POWERED TOOLS ACCESSORIES		
	Part no.	Shank size
U-Channel Driver - Cup Only	9246020583	Cup Only
U-Channel Driver / Pipe Driver	9246020579 9246020580 9246020581 9246020582	7/8" x 4-1/4" 1" x 4-1/4" 1-1/8" x 6" 1-1/4" x 6"
Telespar - Square Post Driver Head 	1-1/2" 1-3/4" 2" 2-1/2" 9245982010 9245982020 9245982030 9245982040	Head only Head only Head only Head only
Telespar - Square Post Driver Shank 	9246020162 9246020160 9246020161	7/8" x 4-1/4" 1-1/8" x 6" 1-1/4" x 6"
Tent Stake Driver - One Piece	9753217399	7/8" x 4-1/4"

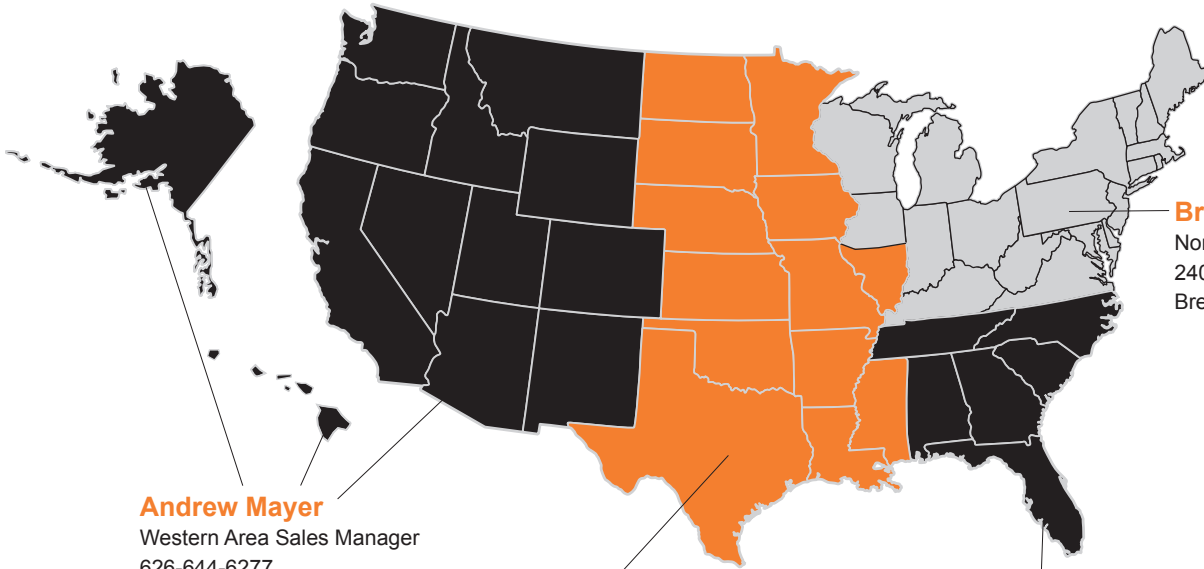
HYDRAULIC SAW ACCESSORIES			
	Part no.	Blade size	Length
	Concrete Blade 	3378005057 3371809727	14" 16"
Asphalt Blade 	3378005058 3371809726	14" 16"	1" 1"

CORE DRILL ACCESSORIES		
	Part no.	Bit size
	Concrete & Brickwork 	3378005061 3378005062 3378005063 3378005064 3378005065 3378005066 3378005067 3378005068

POST HOLE DRIVER ACCESSORIES				
				
	Model	Part no.	Size	
Adaptors for LPD-T and LPD-RV	Universal	3371806033		
	Round	3371806034	3.75"	
	Square 54mm	3371806032	2.15"	
	Square 54mm	3371806032	2.15"	
	Male Cap for Hollow Post	9246020578	3.75" X 2.50"	
Female Round Cap	9246020845	3"10 X 3.5"		
Driver kit "A" Solid Adaptors for LPD HD-T and LPD HD-RV	Round	3371806052	For 6.0" tubes	
	Round	3371806053	For 5.30" – 5.75" tubes	
	Round	3371806054	For 4.15" – 4.50" tubes	
	Round	3371806055	For 6" poles	
<i>*Kit includes anvil rod (1), Solid adapter (10-13), steel ropes, retainers & fasteners</i>				
Driver kit "B" Guide Adaptors for LPD HD-T and LPD HD-RV	Rectangular	3371806045	For IPE/Sigma/C 100mm (4") beams	
	Rectangular	3371806046	For IPE/C 120mm (4.75") beams	
	Round	3371806047	For 2.5" tubes, 2.75"-3" poles	
	Round	3371806048	For 3.0" tubes, 3.1"-3.35" poles	
	Round	3371806049	For 3.5" tubes, 3.75"-4" poles	
	Round	3371806050	For 4.0" tubes, 4.1"-4.3" poles	
Round	3371806051	For 5.0" tubes, 4.9"-5.3" poles		
<i>*Kit includes anvil rod (1), Sanvil head (2), guide adapter (3-9), spacers & fasteners</i>				

POST HOLE DRIVER ACCESSORIES		
		
Auger	Part no.	Bit size
Bit	3378005045	3-1/2"
Bit	3378005046	6"
Bit	3378005047	9-7/8"
Bit	3378005049	11"
Bit	3378005048	13-3/4"
Extension	3378005055	19-5/16"
Tip	3378099936	Threaded

American Pneumatic Tools Area Sales Managers



Andrew Mayer

Western Area Sales Manager
626-644-6277

Andrew.Mayer@apt-tools.com

Territory also includes:

Caribbean

Central America

South America

Dan McCoin

Central Area Sales Manager

714-878-7601

Daniel.McCoin@apt-tools.com

Josh Djokic

South East Area Sales Manager

561-801-8779

Josh.Djokic@apt-tools.com

Brent Williamson

Northern Area Sales Manager

240-285-8178

Brent.Williamson@apt-tools.com

CONFIDENTIAL. Any unauthorized disclosure in whole or in part is prohibited.

Note: Photos and illustrations contained herein might depict machines with optional and/or extra components which are not included with the standard version of the machine. Unless APT's applicable written quotation specifies that the particular optional/extra component is included with the particular machine being ordered, the machine will not include such optional/extra component. We reserve the right to change the specifications and design of products described in this literature without notice. Not all products are available in all markets.



AMERICAN PNEUMATIC TOOLS

A Business Unit within Power Technique North America LLC

1000 S. Grand Ave.

Santa Ana, CA 92705

Tel. 800-532-7402

www.apt-tools.com