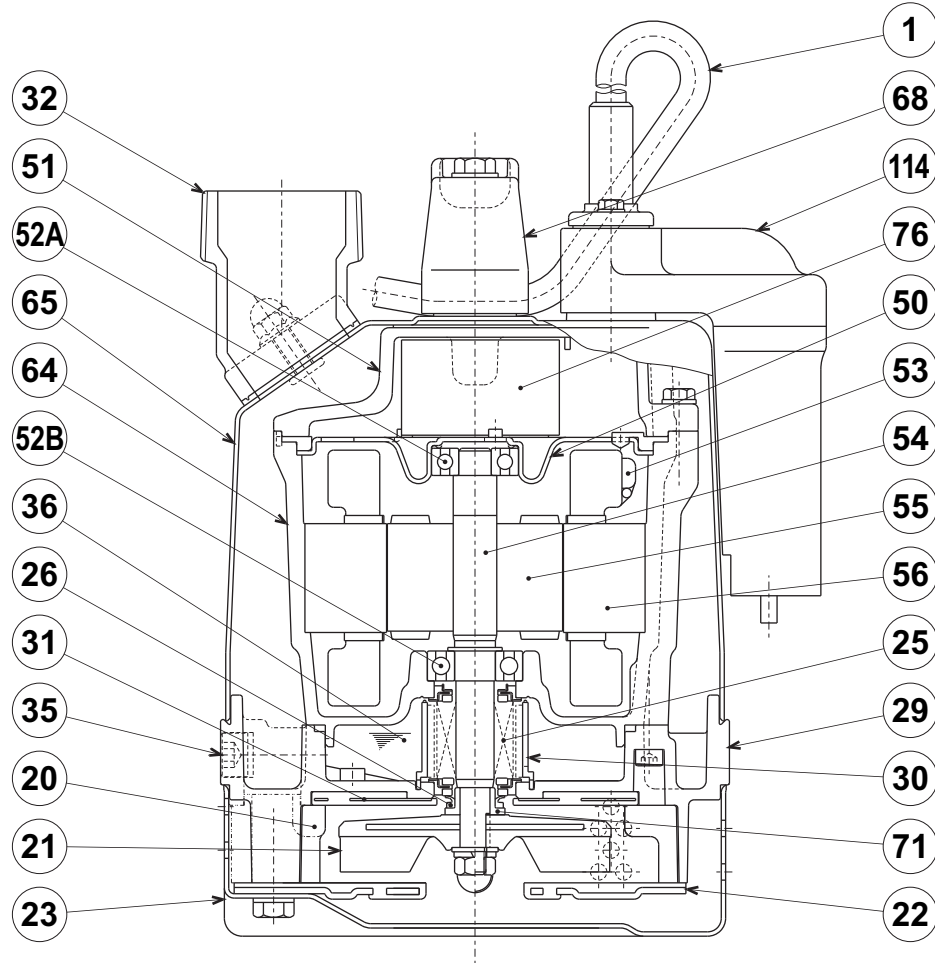


**TSURUMI PUMP**

LB - SERIES
SEMI-VORTEX - DEWATERING PUMP (AUTO-TYPE)

SECTIONAL VIEW**LB-480A-62**

| ITEM# | DESCRIPTION | MAIN MATERIAL / NOTE | RELATED ASTM, AISI CODE | RELATED EN CODE | Q'TY |
|-------|----------------------|---------------------------------------|-------------------------|------------------|------|
| 1 | Power Cable | PVC Sheath AWG16/3-32ft | | | 1 |
| 20 | Pump Casing | Ethylene Propylene Rubber | | | 1 |
| 21 | Impeller | Urethane Rubber | | | 1 |
| 22 | Suction Cover | Urethane Rubber + Steel (Cold Rolled) | (A109/A1008) | (EN 10130) | 1 |
| 23 | Suction Strainer | Steel (Cold Rolled) | A109/A1008 | EN 10130 | 1 |
| 25 | Mechanical Seal | Silicon Carbide / W-14VL | | | 1 |
| 26 | V-Ring | Nitrile Butadiene Rubber | | | 1 |
| 29 | Oil Casing | Aluminum Alloy Die Casting | B85 383.0 | EN 1706 AC-46100 | 1 |
| 30 | Oil Lifter | PBT Resin | | | 1 |
| 31 | Wearing Plate | Urethane Rubber | | | 1 |
| 32 | Discharge Connection | Aluminum Alloy Die Casting / NPT 2" | B85 383.0 | EN 1706 AC-46100 | 1 |
| 35 | Oil Plug | Stainless Steel | S 30400 | 1.4301 | 1 |
| 36 | Lubricant | Turbine Oil ISO VG32 or SAE10W -20 | | | |
| 50 | Motor Bracket | Steel (Electro-Galvanized) | A591 | EN 10152 | 1 |
| 51 | Motor Head Cover | Aluminum Alloy Die Casting | B85 383.0 | EN 1706 AC-46100 | 1 |
| 52A | Upper Bearing | #6201ZZC3 | | | 1 |
| 52B | Lower Bearing | #6202ZZC3 | | | 1 |
| 53 | Motor Protector | | | | 1 |
| 54 | Shaft | Stainless Steel | S 40300 | 1.4000 | 1 |
| 55 | Rotor | | | | 1 |
| 56 | Stator | | | | 1 |
| 64 | Motor Housing | Aluminum Alloy Die Casting | B85 383.0 | EN 1706 AC-46100 | 1 |
| 65 | Outer Cover | Steel (Cold Rolled) | A109/A1008 | EN 10130 | 1 |
| 68 | Handle | ABS Resin | | | 1 |
| 71 | Shaft Sleeve | Stainless Steel | S 30400 | 1.4301 | 1 |
| 76 | Capacitor | | | | 1 |
| 114 | Relay Unit | Styrene Butadien Rubber | | | 1 |